

\\dc01\wbc\Clients\ODL, Inc. PERMANENTVA - Florida Product Approvals\FL-15260 Exterior Door Components - Lite Frame Inserts\C - Drawings\FL 15260 (2020) R9\FL-15260.17.dwg



215 EAST ROOSEVELT AVE.
ZEELAND, MI 49464

ODL / WESTERN REFLECTIONS

"Spotlights" Lite Frame

Injection-Molded Frame

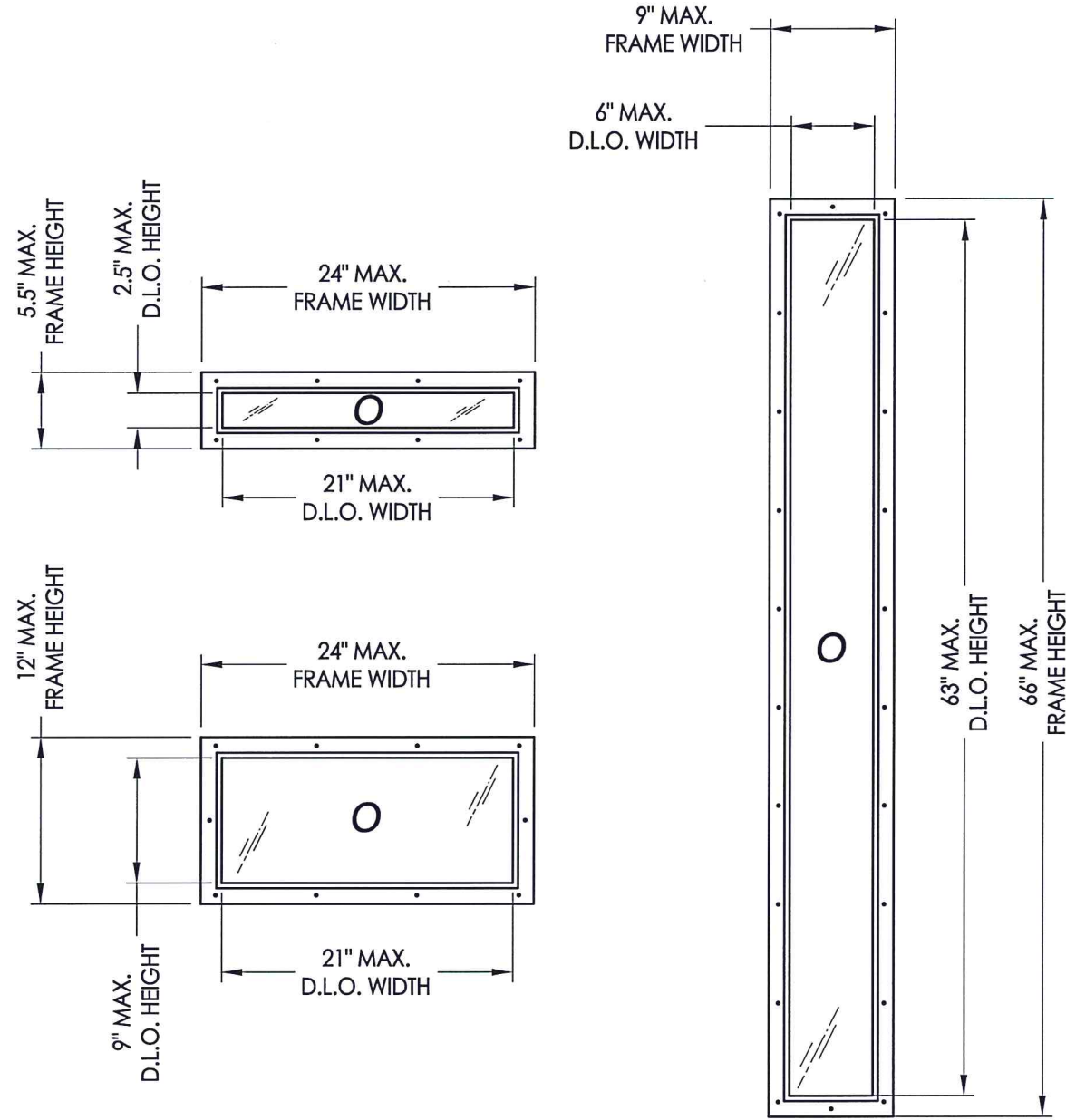
FOR GLAZING UP TO A 3'0" x 8'0" SINGLE PANEL

"NON-IMPACT"

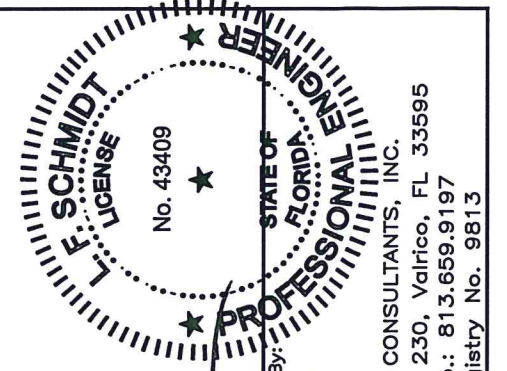
GENERAL NOTES

- This product has been evaluated and is in compliance with the 7th Edition (2020) Florida Building Code (FBC) structural requirements excluding the High Velocity Hurricane Zone (HVHZ).
- When used in areas requiring wind borne debris protection this product is required to be protected with an impact resistant covering that complies with FBC Sections 1609.1.2 & R301.2.1.2.
- This product is approved for use as a substitute doorglass assembly in conjunction with a glazed fiberglass side hinged swing door possessing a comparable current Florida Statewide product approval.
- The design pressure (DP) rating shall be the lesser of the DP rating shown on sheet 1 of this approval or the DP rating shown in the glazed fiberglass door approval being used.
- The door panel and lite opening size shall not exceed the sizes shown in this approval or the glazed fiberglass door approval being used.
- This product is approved for use in the door panels as specified on sheets 3 & 4 of this approval. Substitution into a similar product may be approved for use by the local Authority Having Jurisdiction. In all cases, the glazed fiberglass door used must possess a comparable current Florida Statewide product approval.

TABLE OF CONTENTS	
SHEET#	DESCRIPTION
1	Typical elevations, design pressures and general notes
2	Frame & glazing details
3	Fiberglass door panel (6'-8")
4	Fiberglass door panel (8'-0")



DESIGN PRESSURE RATING (PSF)		
LITE FRAME SIZE	POSITIVE	NEGATIVE
24.0" X 12.0"	+70.0	-75.0
24.0" X 5.5"	+70.0	-75.0
9.0" X 66.0"	+45.0	-60.0



August 07, 2020
 Documents Prepared By:
 Lyndon F. Schmidt
 P.E. No. 43409

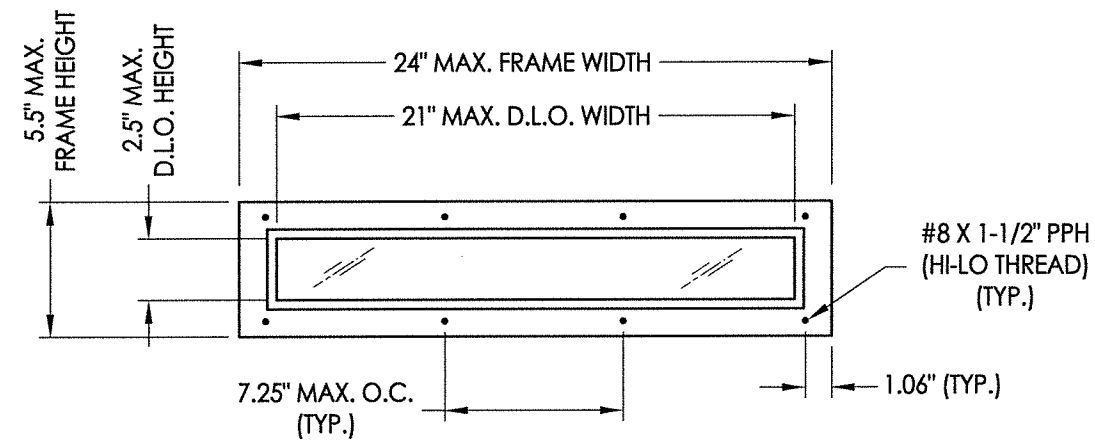
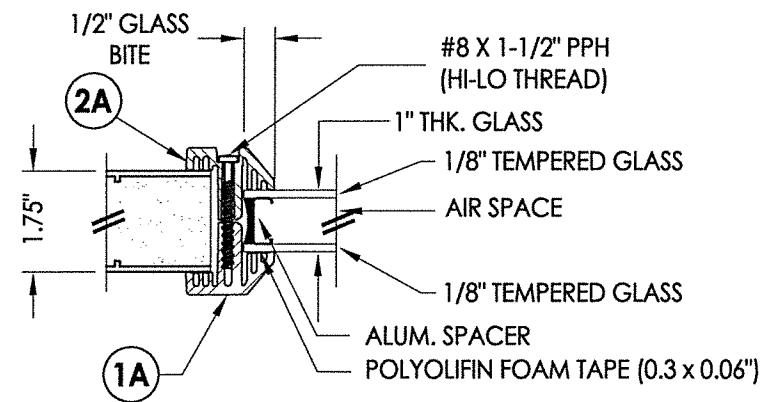
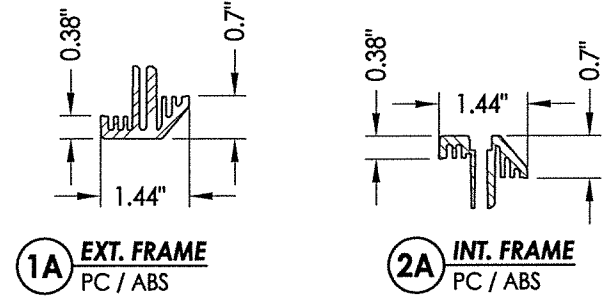
LFS

PRODUCT: ODL LITE FRAME
 PART OR ASSEMBLY:
 TYPICAL ELEVATIONS, DESIGN PRESSURES & GENERAL NOTES

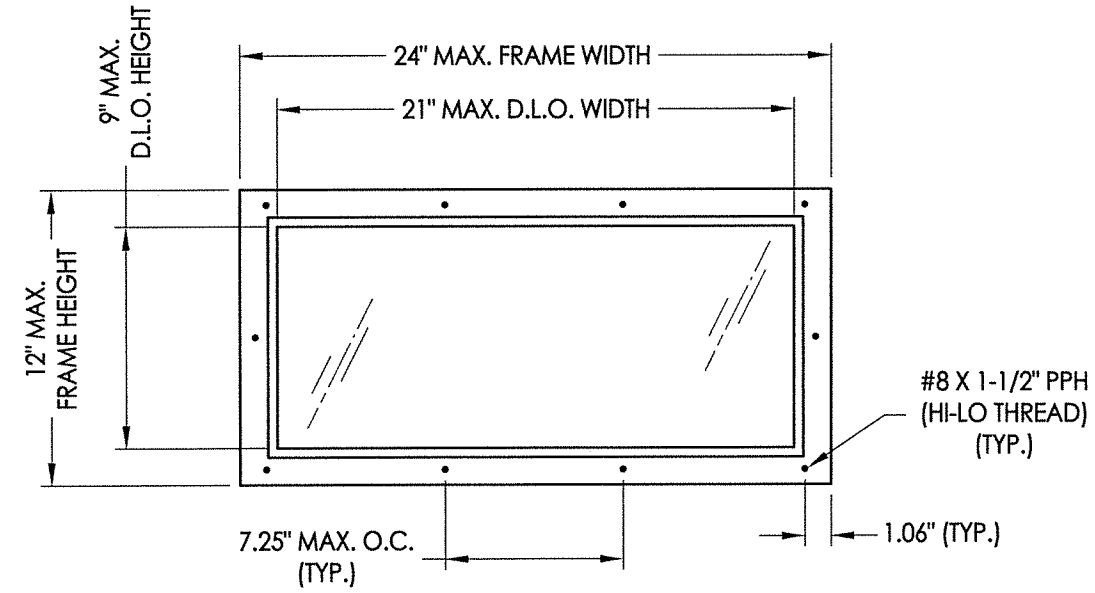
NO.	DATE	REVISIONS
3	8/05/20	UPDATE TO 7TH ED. (2020) FBC
2	6/14/18	ADD 21" X 5.5" FRAME SIZE
1	9/26/17	UPDATE TO 6TH ED. (2017) FBC

DATE: 4/16/16
 SCALE: N.T.S.
 DWG. BY: JK
 CHK. BY: LFS
 DRAWING NO.: FL-15260.17
 SHEET 1 OF 4

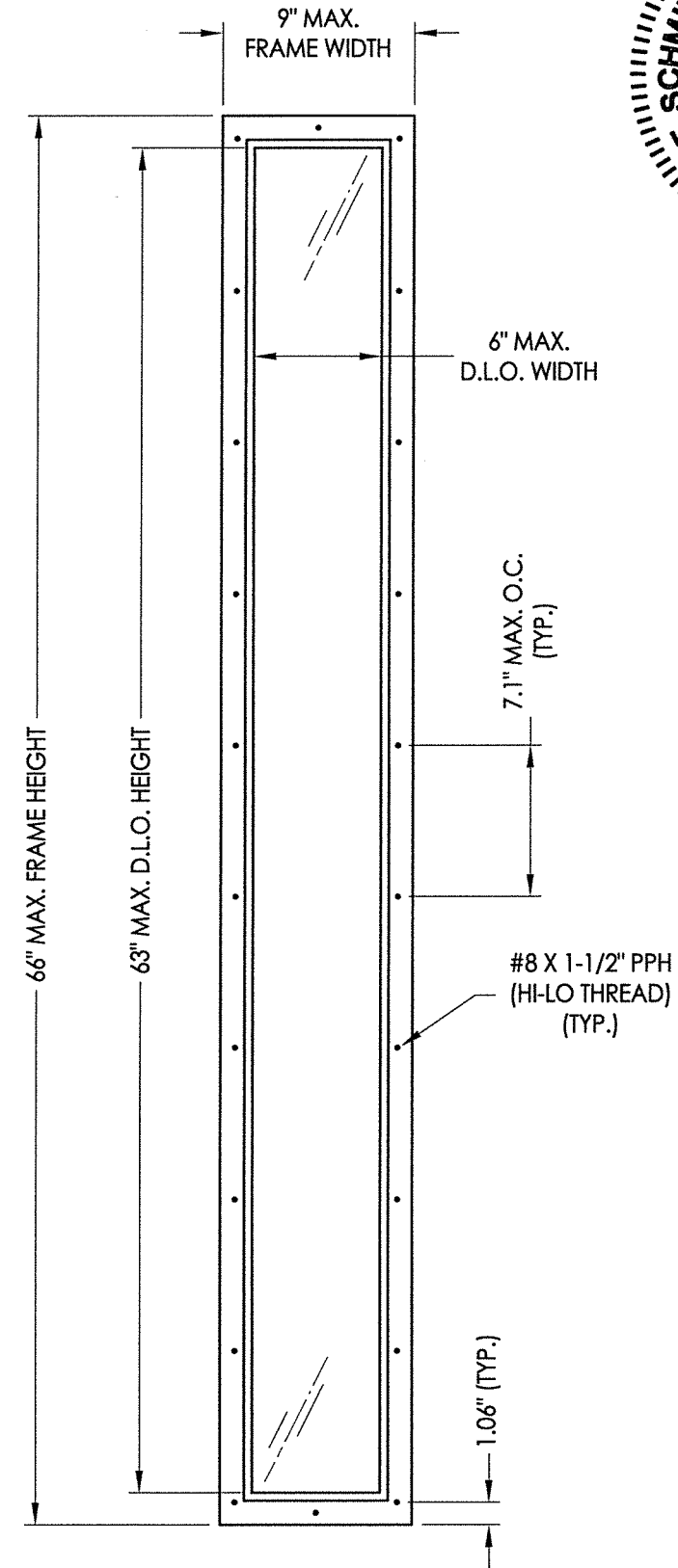
BUILDING CONSULTANTS, INC.
 P.O. Box 230, Valrico, FL 33595
 Phone No.: 813.659.9197
 FBPE Registry No. 9813



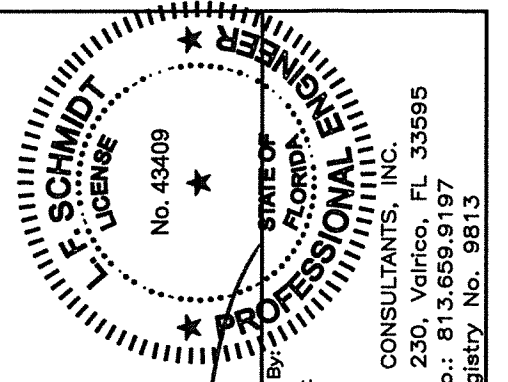
"Spotlights" Life Frame System
24.0" X 5.5"



"Spotlights" Life Frame System
24.0" X 12.0"



"Spotlights" Life Frame System
9.0" X 66.0"



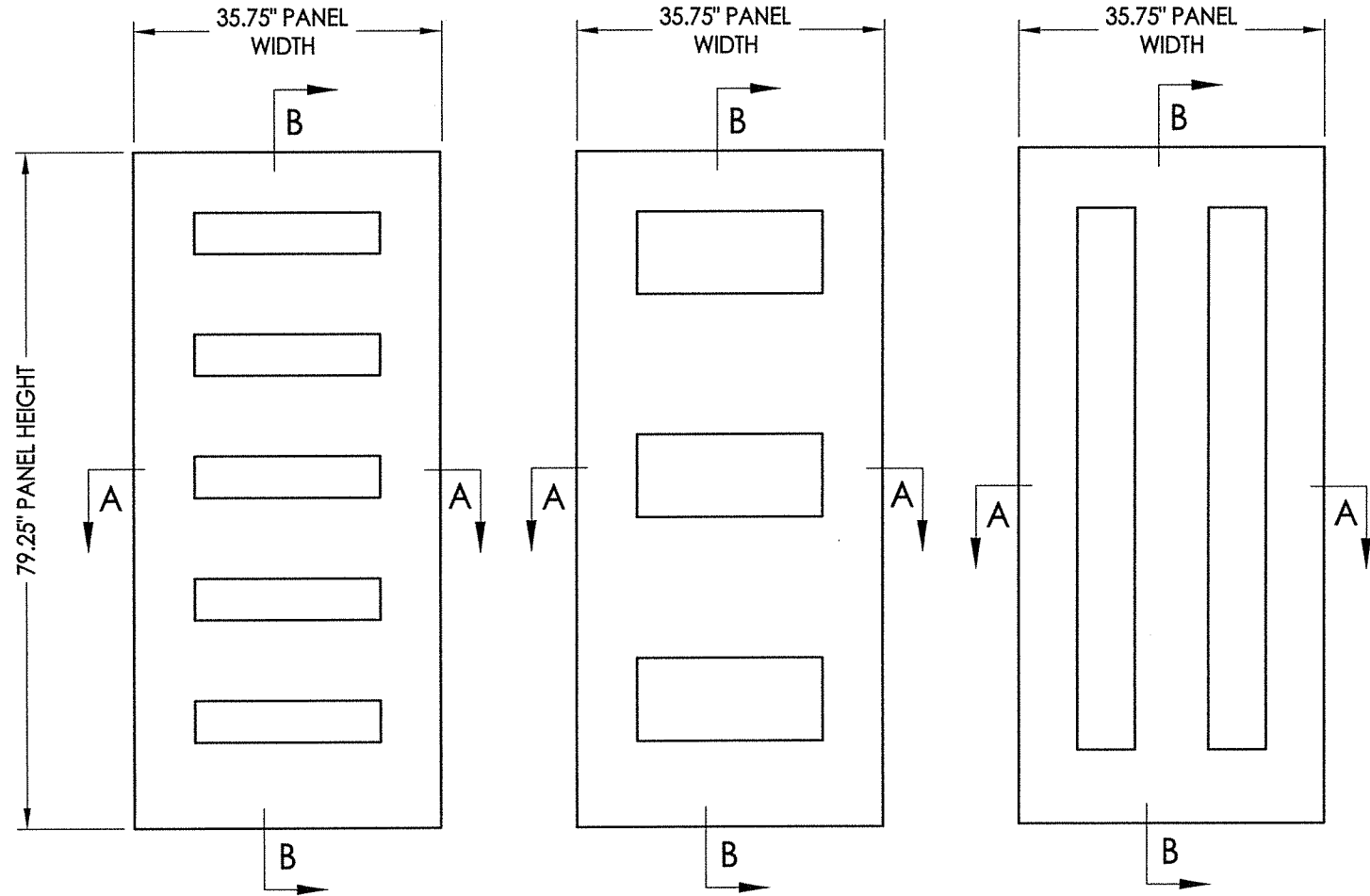
(Signature)

August 07, 2020

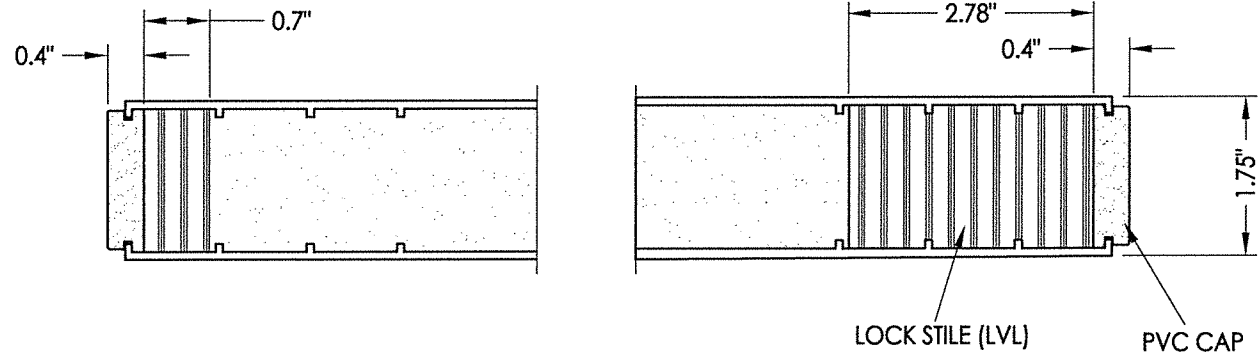
Documents Prepared By:
Lyndon F. Schmidt
P.E. No. 43409

R.W. BUILDING CONSULTANTS, INC.
P.O. Box 230, Valrico, FL 33595
Phone No.: 813.659.9197
FBPE Registry No. 9813

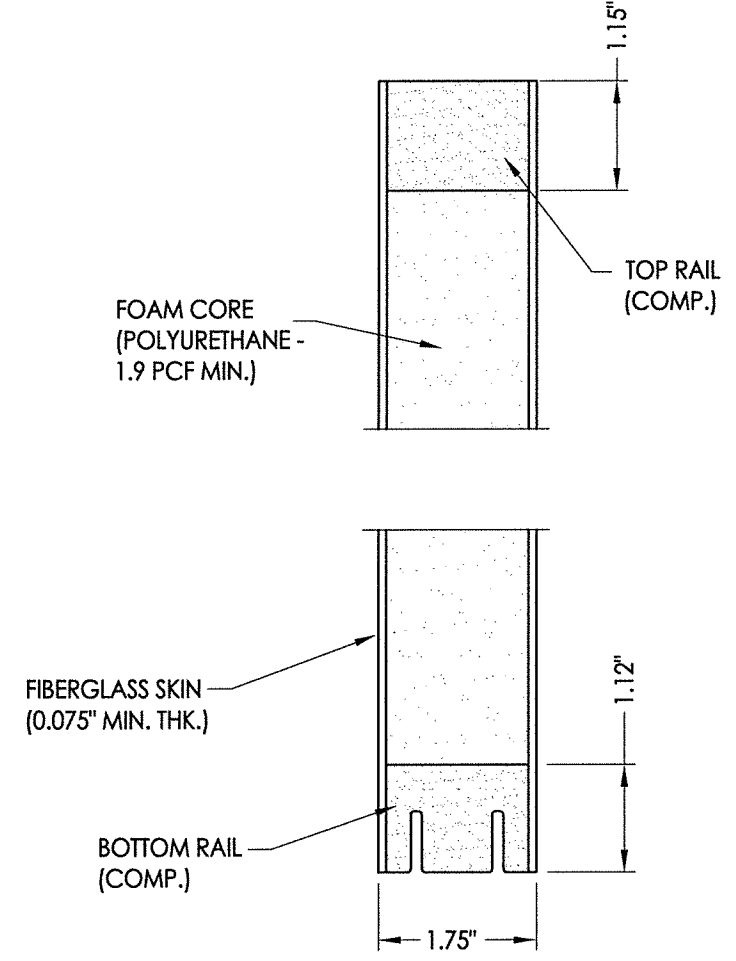
PRODUCT: ODL LITE FRAME		PART OR ASSEMBLY: FRAME & GLAZING DETAILS	
NO.	DATE	BY	REVISIONS
3	8/05/20	DAC	UPDATE TO 7TH ED. (2020) FBC
2	6/14/18	LFS	ADD 21" X 5.5" FRAME SIZE
1	9/26/17	JK	UPDATE TO 6TH ED. (2017) FBC
DATE: 4/16/16			
SCALE: N.T.S.			
DWG. BY: JK			
CHK. BY: LFS			
DRAWING NO.: FL-15260.17			
SHEET 2 OF 4			



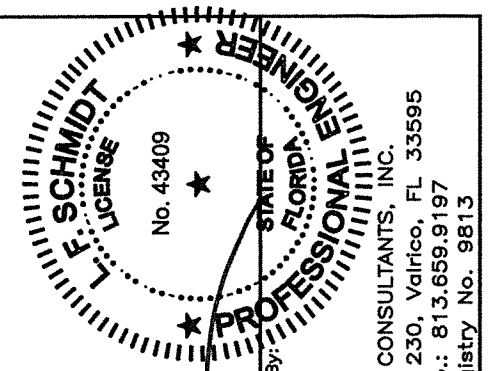
FIBERGLASS DOOR PANELS
Plastpro 6'-8"



SECTION A-A



SECTION B-B



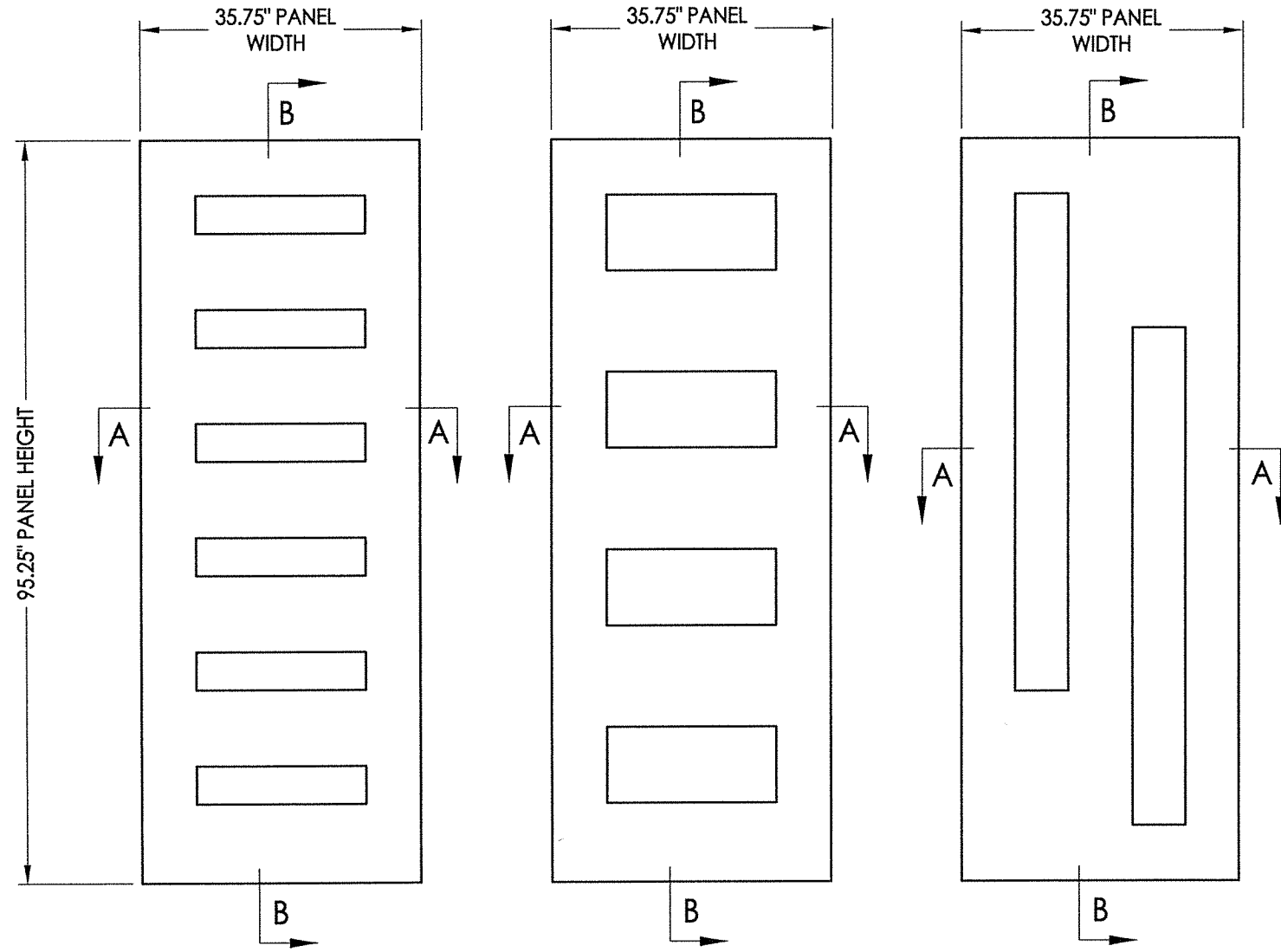
LFS

August 07, 2020

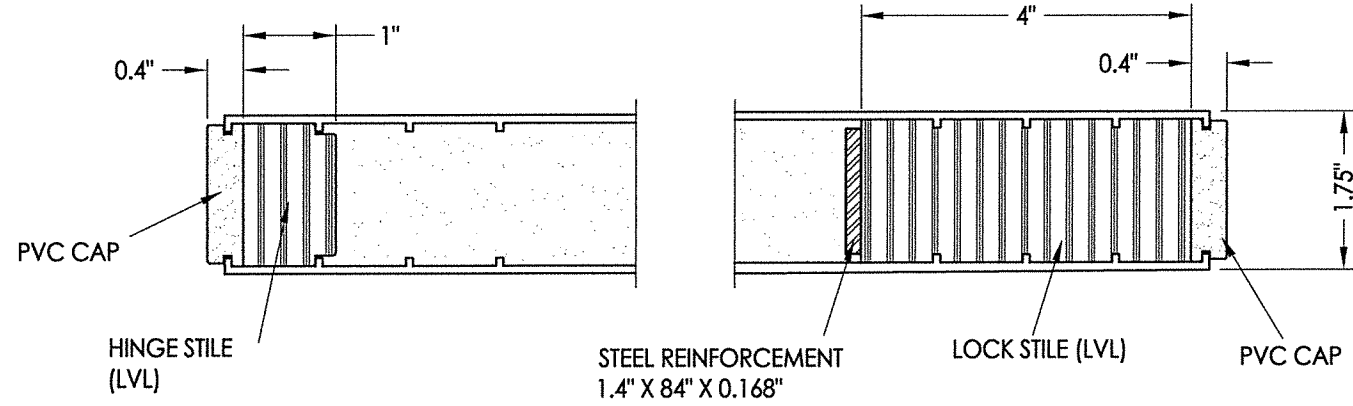
Documents Prepared By:
Lyndon F. Schmidt
P.E. No. 43409

RW BUILDING CONSULTANTS, INC.
P.O. Box 230, Valrico, FL 33595
Phone No.: 813.659.9197
FBPE Registry No. 9813

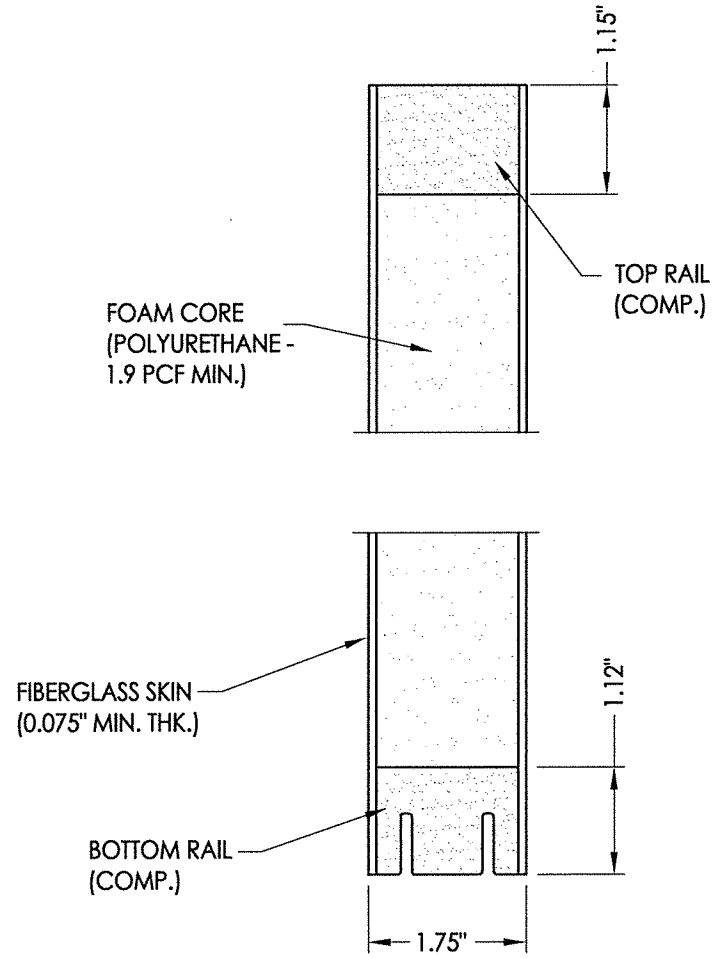
PRODUCT: ODL LITE FRAME	
PART OR ASSEMBLY: FIBERGLASS DOOR PANEL (6'-8")	
NO.	DATE
3	8/05/20
2	6/14/18
1	9/26/17
REVISIONS	
DATE:	4/16/16
SCALE:	N.T.S.
DWG. BY:	JK
CHK. BY:	LFS
DRAWING NO.:	FL-15260.17
SHEET	3 OF 4



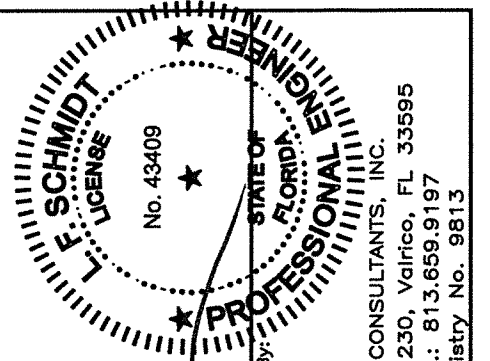
FIBERGLASS DOOR PANELS
Plastpro 8'-0"



SECTION A-A



SECTION B-B



LFS

August 07, 2020
Documents Prepared By:
Lyndon F. Schmidt
P.E. No. 43409

RW
BUILDING CONSULTANTS, INC.
P.O. Box 230, Vairico, FL 33595
Phone No.: 813.659.9197
FBPE Registry No. 9813

PRODUCT:		ODL LITE FRAME	
PART OR ASSEMBLY:		FIBERGLASS DOOR PANEL (8'-0")	
NO.	DATE	BY	REVISIONS
3	8/05/20	DAC	UPDATE TO 7TH ED. (2020) FBC
2	6/14/18	LFS	ADD 21" X 5.5" FRAME SIZE
1	9/26/17	JK	UPDATE TO 6TH ED. (2017) FBC
DATE:		4/16/16	
SCALE:		N.T.S.	
DWG. BY:		JK	
CHK. BY:		LFS	
DRAWING NO.:		FL-15260.17	
SHEET		4 OF 4	